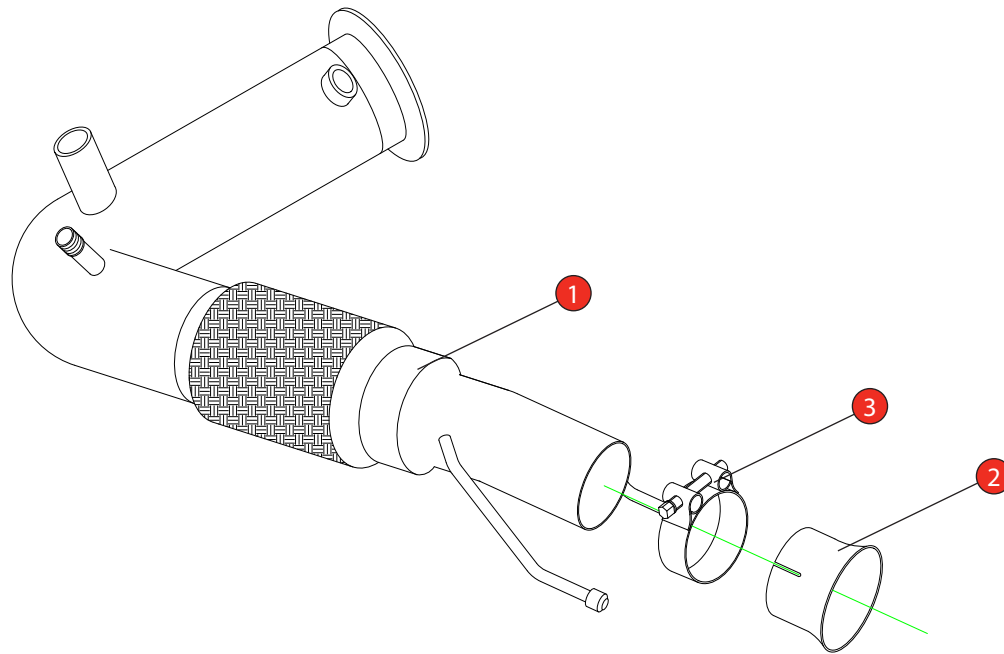


Car	Mini Cooper F56 GPF	Part No.	SMNC018
Year	2019-Current	Fit Kits	004FK
Notes	Where not supplied use original fittings. Use original gasket.	Features	Pipe Diameter:- 90-70mm

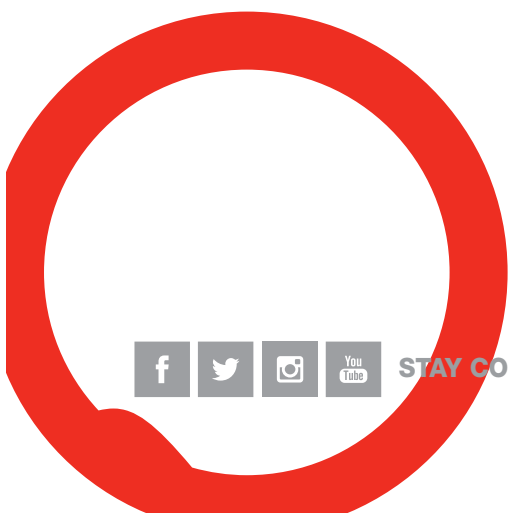
Estimated Fitting Time: 4 Hours



NO.	PART NO.	DESCRIPTION	QTY
1	785BM	De-cat Downpipe	1
2	789BM	Adaptor	1
Fit Kit			
3	Z016.10063	72mm H/D Clamp	1

CLASSIFICATION	Motorsport Use Only
HOMOLOGATED	No
DATE	18/06/20
ISSUE	01
AUTHORISED	M.Ydlibi

NOTE: ENSURE SCORPION SYSTEM IS CLEAR OF MOVING PARTS AND ALL ORIGINAL FUNCTIONS WORK CORRECTLY.



STAY CONNECTED TO RED POWER.